

PRODUCT TECHNICAL SHEET

Collection : 1935

Ref. : 1935---.74

Thermostatique à encastrer

Inbouw thermostaat

Concealed thermostatic

Picture



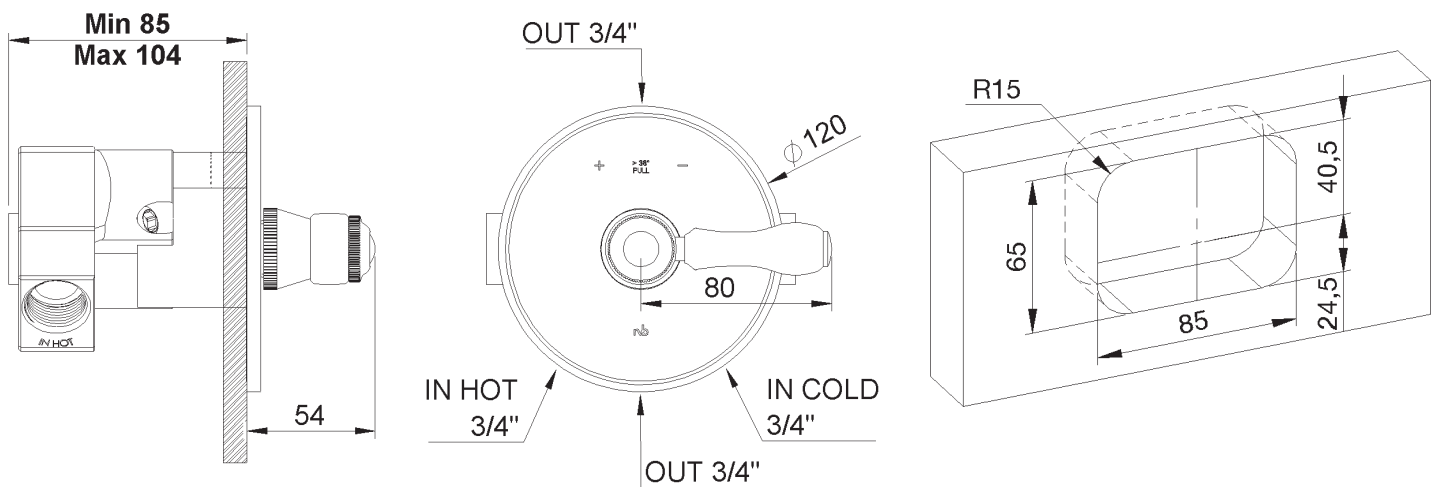
Product details

Weight : 4,3 kg

Flow at 3 bar : 32 l/min

Internal mechanism : Thermostatic wax cartridge

Technical drawing



RA2.V02